

[Strohm Teka Hungary](#) > [Accessories](#) > [Bathroom accessories](#) > [Towel bar / ring](#) >



FORMENTERA


Formentera törölközőtartó, dupla

Brave black coloured double towel rail.

Ref: 17077020N2

Colour Brave Black

Weight 1 kg

 2 years warranty

Description

Merész fekete dupla törölközőtartó PVD bevonattal ellátva.

Technical features

- PVD paint coating
- Easy to clean
- Easy installation system
- 60 cm
- No finger print treatment

Finishings and materials

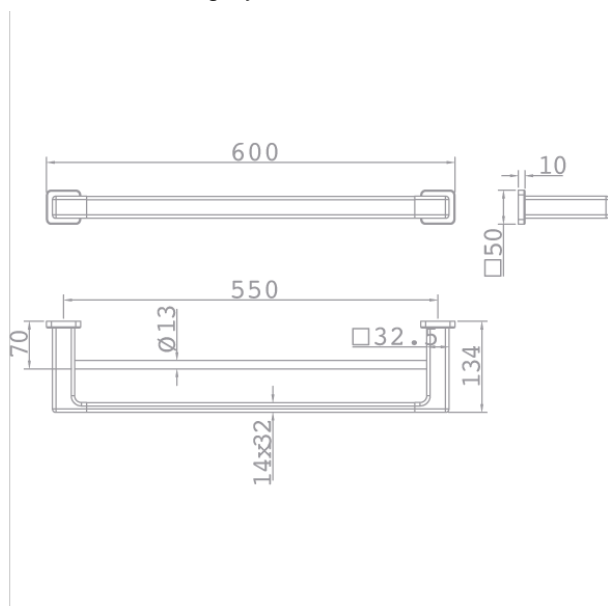
- Metal

Images

Legal disclaimer:

*Certain technical factors and features of our finishes may be altered due to possible variations in the configuration of your computer and/or printer; these data are therefore only approximate and not definitive. We regularly review our product specifications to improve their characteristics and warranties. Please request detailed information from our sales department for any building or refitting projects.

Strohm Teka Hungary > Accessories > Bathroom accessories > Towel bar / ring >



Downloads

 User guide

 Product drawings

Legal disclaimer:

*Certain technical factors and features of our finishes may be altered due to possible variations in the configuration of your computer and/or printer; these data are therefore only approximate and not definitive. We regularly review our product specifications to improve their characteristics and warranties. Please request detailed information from our sales department for any building or refitting projects.